

**FGD**

Glass Solutions

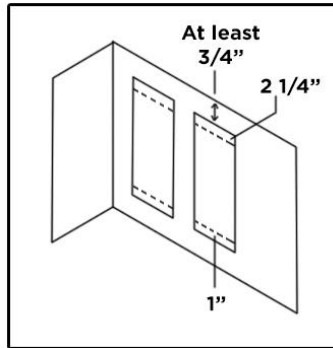
470 Satellite Blvd NE Suite A Suwanee, GA 30024

Phone: 770-614-4121

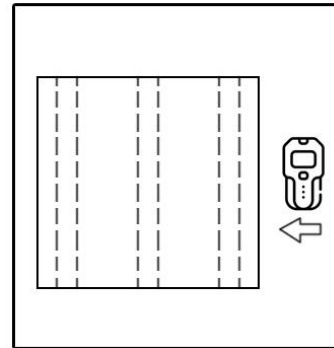
Fax: (770) 614-4180

## LUMAWALL INSTALLATION INSTRUCTIONS

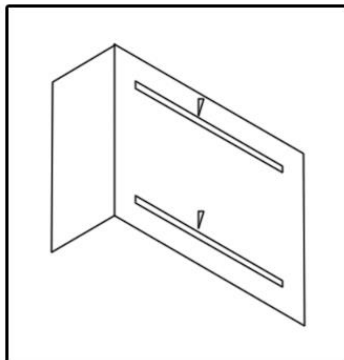
Mounting to drywall, anchored into wood, metal studs, or hollow wall



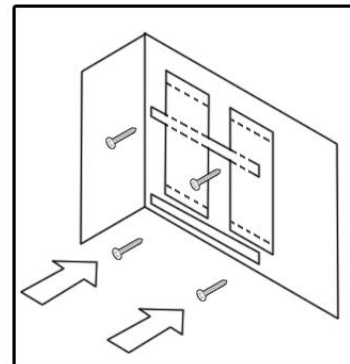
- 1 With final mounting height determined and in mind, draw a line 1" above the desired distance above the desired bottom edge of the frame.
- 2 Draw another line 2 1/4" below the desired top edge of frame. NOTE: Minimum top clearance between the top of frame to the ceiling is 3/4".



- 3 Using a stud finder, locate and mark the studs for strongest anchorage points.

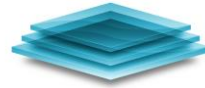


- 4 Place z-clip extrusion across the wall at the top and bottom of the desired mounting location to determine if it is flat as many walls will have some variations.
- 5 Use provided 1/16" shims to gauge any anchorage point where you find the wall dips away from the z-clip extrusion. Mark and notate the distance away from wall.
- 6 Plan for using shims for any deviation greater than 1/16". If required additional shims can be purchased at a local hardware store.



- 7 Using #10 Wood Screws or #1 SAE Gr 2 Screws, Install the bottom z-clip where the bottom edge of the z-clip extrusion is on the line previously drawn 1" above the desired bottom of the frame. Z-clip come with holes predrilled for mounting. Additional holes can be drilled if needed. -clip must be anchored at all stud locations.
- 8 Install bottom edge of top z-clip on the line previously drawn at 2 1/4" below desired top of the frame.

INSPIRE INVISION DESIGN BUILD



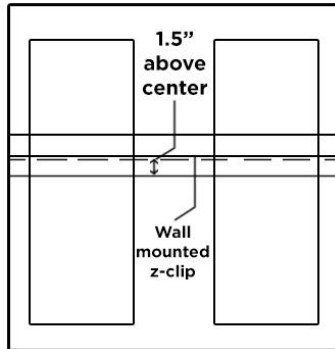
**FGD**

Glass Solutions

470 Satellite Blvd NE Suite A Suwanee, GA 30024

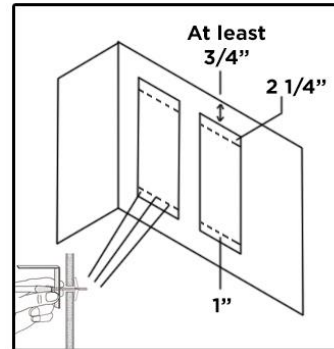
Phone: 770-614-4121

Fax: (770) 614-4180



#### **IF PANEL IS TALLER THAN 64"**

A pre-mounted clip is required for any panel more than 64" tall. The bottom edge of the wall mounted z-clip must be anchored to the wall 1 1/2" above the center of the panel. Use this formula to determine this mounting location on the wall; LumaWall™ panel height divided by 2 then add 1-1/2"



#### **IF INSTALLING ON HOLLOW WALL**

Using pre-drilled holes in z-clip extrusion, mark anchoring locations.

Use 3/16" Zip Toggles or similar toggle anchors to install the bottom z-clip. Follow zip toggle install instructions (not included)

The bottom edge of the z-clip extrusion should be on the line previously drawn 1" above the desired bottom of the frame. (STEP 1)

Additional holes can be drilled if needed. Space mounting toggle anchors no more than 16" apart.